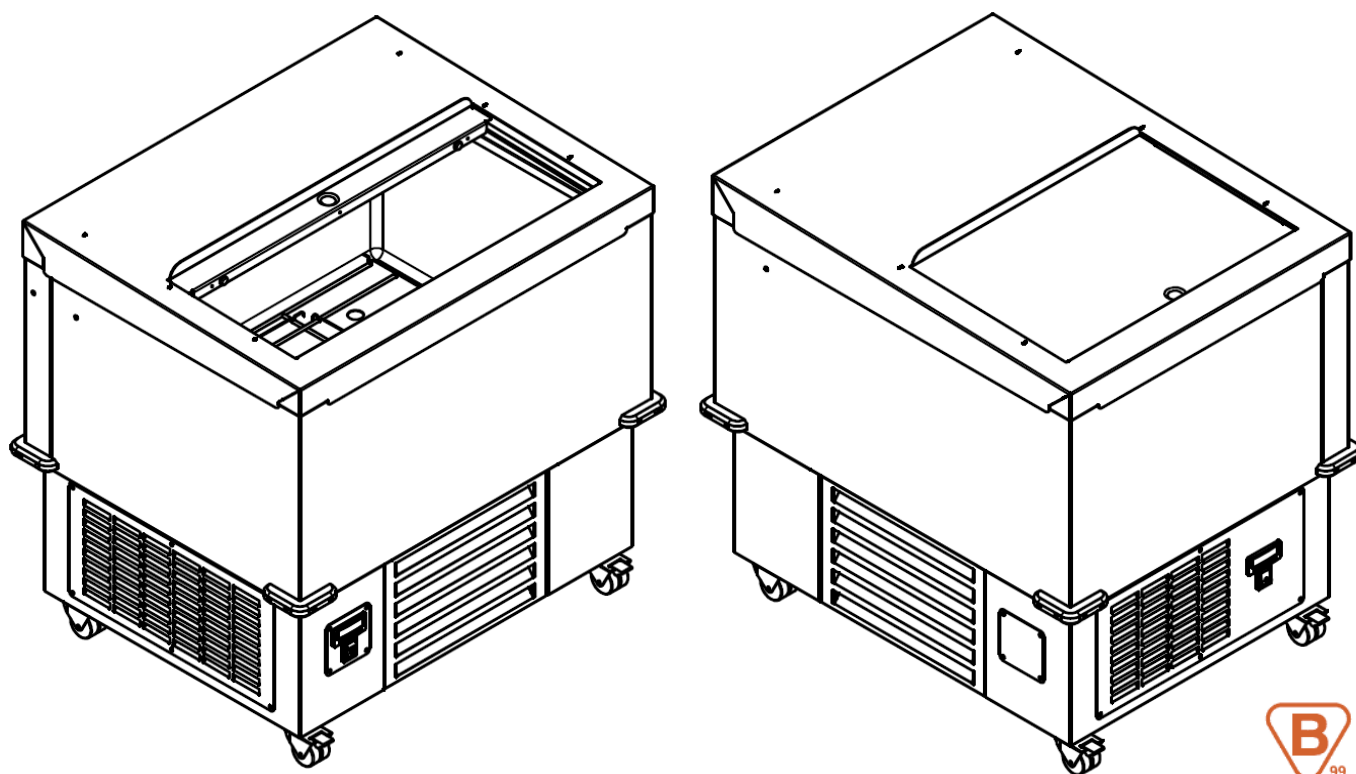


#00930040
#00943332

FREEZER ZF130 BK series

OPERATION AND MAINTENANCE MANUAL

FREEZER ZF130/ZF130 SLIM



**Following installation, please forward this manual
to the appropriate operations person.**



Important Safety Information CAUTION!

- For indoor use only. Designed for commercial use. Follett is not able to provide in-house services for residential installations.
- This appliance should be connected by a qualified person in accordance with application codes.
- If the supply cord is damaged, it must be replaced by the manufacturer, its service agent or similarly qualified persons in order to avoid a hazard.
- Connect to grounded power supply.
- This appliance can be used by children aged 8 years and above and persons with reduced physical, sensory, or mental capabilities, or lack of experience and knowledge if they have been given supervision or instruction concerning use of the appliance in a safe way and understand the hazards involved. Children should be supervised to ensure that they do not play with the appliance.
- Children should not be allowed to perform any maintenance of this appliance.
- Do not store flammable or explosive substances on the tier!
- Warranty does not cover exterior or outside installations.
- Electrical parts. Do not operate with top cover removed.
- Hot parts. Do not operate with top cover removed.
- To reduce risk of shock, disconnect power before servicing.

LIST OF CONTENTS

| | |
|-------------------------------------|----|
| 1. GENERAL INFORMATION..... | 4 |
| 2. SAFETY RULES..... | 4 |
| 3. INSTRUCTION FOR THE USER..... | 5 |
| 4. CONTROL PANEL INSTRUCTION..... | 5 |
| 4.1. Turning ON/OFF the unit | 5 |
| 4.2. Defrost procedure | 5 |
| 4.3. Temperature set point | 6 |
| 5. TECHNICAL DETAILS..... | 7 |
| 5.1. Standard version | 7 |
| 5.2. Slim version..... | 8 |
| 5.3. Dimensions and parameters..... | 9 |
| 6. EQUIPMENT DESCRIPTION | 10 |
| 7. CLEANING INSTRUCTION..... | 12 |
| 7.1. Chamber cleaning | 12 |
| 7.2. Cleaning of housing..... | 12 |
| 7.3. Condenser cleaning | 12 |
| 8. TRANSPORT | 12 |
| 9. TROUBLESHOOTING GUIDE..... | 13 |
| 10. WIRING DIAGRAM | 14 |
| 11. SPARE PARTS | 15 |

Welcome!

Follett equipment enjoys a well deserved reputation for excellent performance, long term reliability and outstanding after the sale support. To ensure that this product delivers that same degree of service, we ask that you take a moment to review this manual before beginning the installation. Should you have any questions or require technical help at any point, please call our technical service group at +48 58 785-6140.

1. GENERAL INFORMATION

Freezer ZF130 is designed for the catering industry. The cold storage function, ease of move and well designed interior are just the few of the features you will find.

The device is mainly made of stainless steel to fit strict hygiene requirements. Conforming to even toughest standards this device meets all your needs regarding to serve always cool and fresh meals. It is easy to clean and wash. It will therefore last longer in the demanding kitchen conditions and is easier and cheaper to maintain than other materials.

Please have a while and read this instruction. Using Follett equipment according to the following information will let you enjoy with this device.

2. SAFETY RULES

- Unit should be connected to the power socket 230V AC and must be grounded.
- Any changes/amendments should only be made by a qualified electrician.
- Do not exceed the rating of the socket.
- The machine should be washed and cleaned only after disconnecting from the power network (the plug should be taken out of the socket)



Important cautions

- Do not put water into the unit and do not use aggressive detergents to wash it.
- If the supply cable is damaged it should be changed by persons qualified to perform his function.

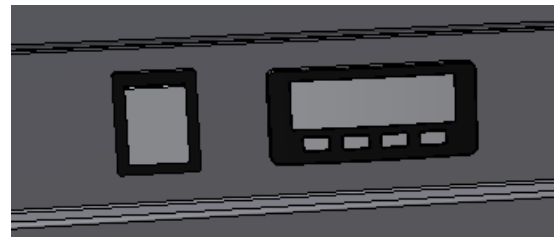
3. INSTRUCTION FOR THE USER

- The refrigerating chamber should be filled only after the temperature set point has been reached.
- Table should be washed with water and cleaning detergent using a soft rag or a sponge only after the cable has been disconnected from the power network (the plug should be taken out of a socket)
- Do not rub the unit surface across the satin finish lines. Scouring across the satin finish lines can damage the original surface finish.
- Every two months the covering grill of the condenser should be taken off and all dust from condenser removed. A clean air filter and condenser is **essential** for the freezer to work properly and reaching proper temperature. Areas of extreme dust condition should be cleaned more frequently.
- Do not store spoiled products.
- Do not put warm products into the freezing chamber.
- The doors of the freezer should be opened for the shortest time possible.
- Device requires its own separate circuit with electrical disconnect within 3 meters
- Do not strain the doors.

4. CONTROL PANEL INSTRUCTION

4.1. Turning ON/OFF

To turn on the equipment put the plug into the socket and press the button (red light on the button will turn on). You will see the actual operating temperature on the control panel. Unit turns on the condensing unit and it will take approximately 30 minutes to reach the set point temperature.



To turn off the unit just use the switch again. Please be sure you do not store any goods inside the unit when it's turned off!

4.2. Defrost procedure

During the normal operation there is a thin layer of frost on the walls inside the freezing chamber. If there is a plenty of frost or ice on the interior walls, it is necessary to defrost the unit. You need to remove all the ice from chamber so the refrigerator can work properly and reach the set point temperature. It's essential that the temperature probe located in the corner of the chamber is free of any ice forming process.

Manual defrost mode turns off the compressor and the condenser fan. Water formed during the melting of ice is removed after unplugging the spout cup thru the hose located on the bottom of the chamber directly to the floor, so after cleaning and defrosting procedure it's needed to flush the unit and purge the water to external drainage system.

If you are not able to remove the ice by manual defrosting, it may be necessary to disconnect the refrigerator for a longer period of time to completely defrost the evaporator.

To start defrosting:

- Push the  button for 4s.

4.3. Temperature set point


The factory setting is **-19 °C**. This setting allows you to cool products and maintain food at a specified temperature range of **-18 to -21 °C**.

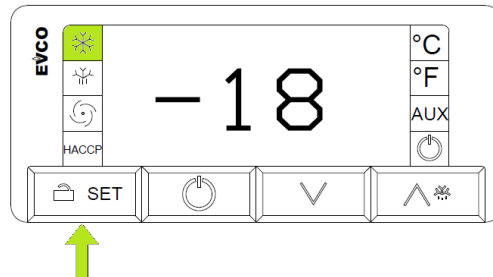
Changing the settings outside the factory temperature range is not advisable!



Lowering the temperature setting may result in the product frosting, frost evaporator and compressor hard work.

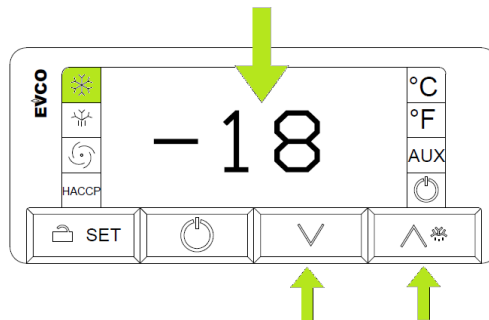
To check the current setting, press the **set** button for 1s.

If for some reason refrigerator has a different setting than the factory, perform the procedure for changing the settings as described below.

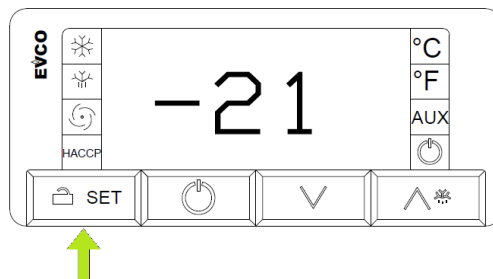
- press **set** , LED  will flash



- press  or  in 15s until you get required temperature

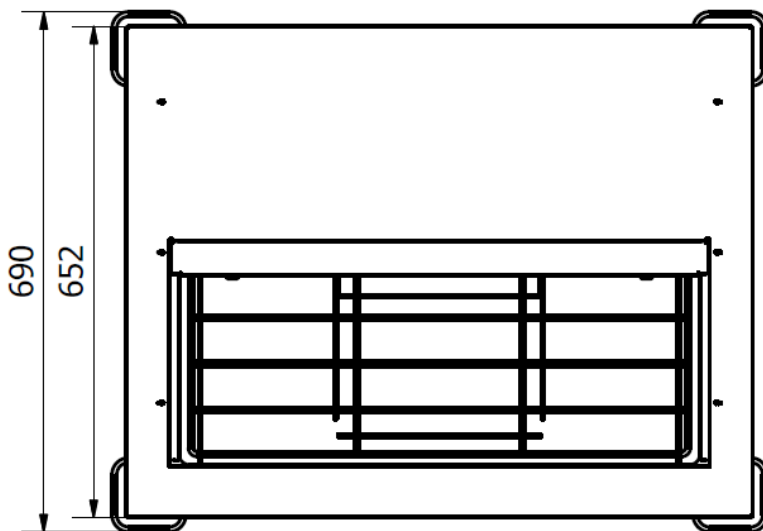
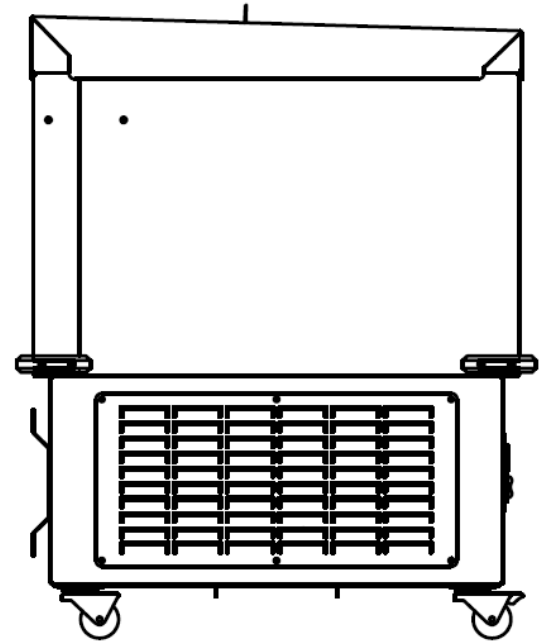
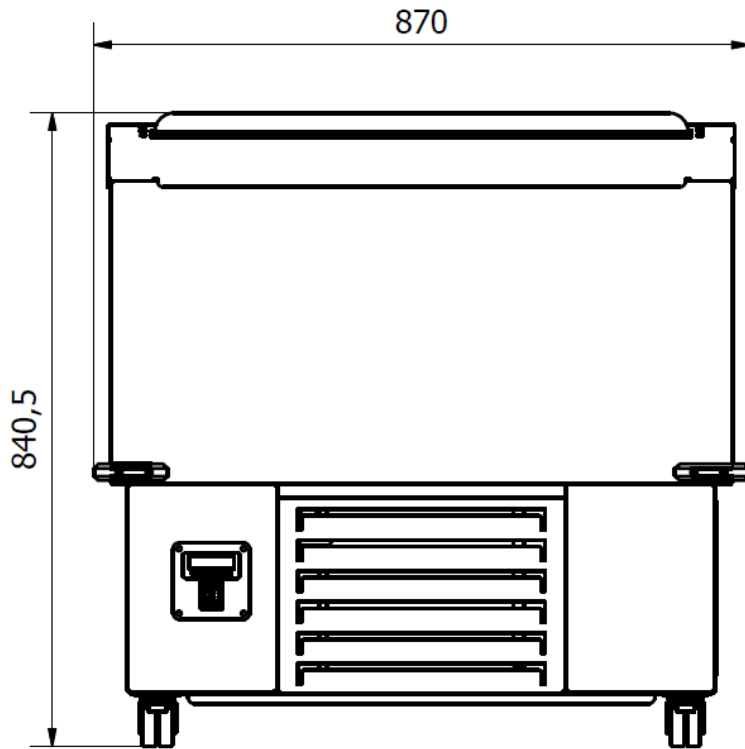


- press **set** or do nothing by 15s

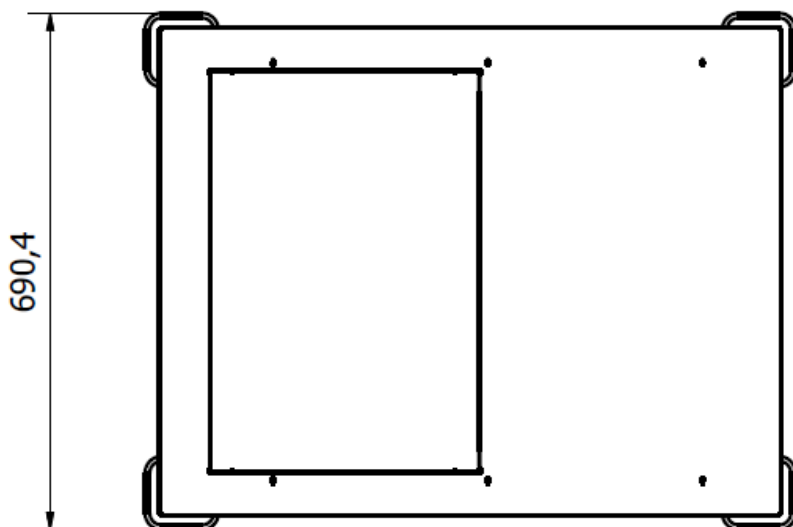
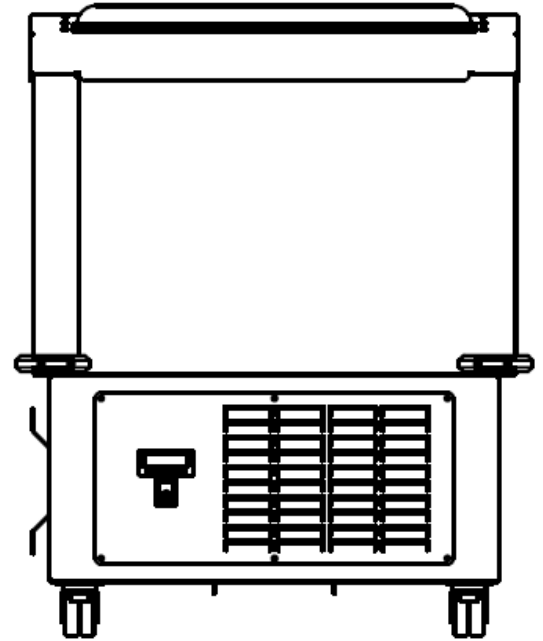
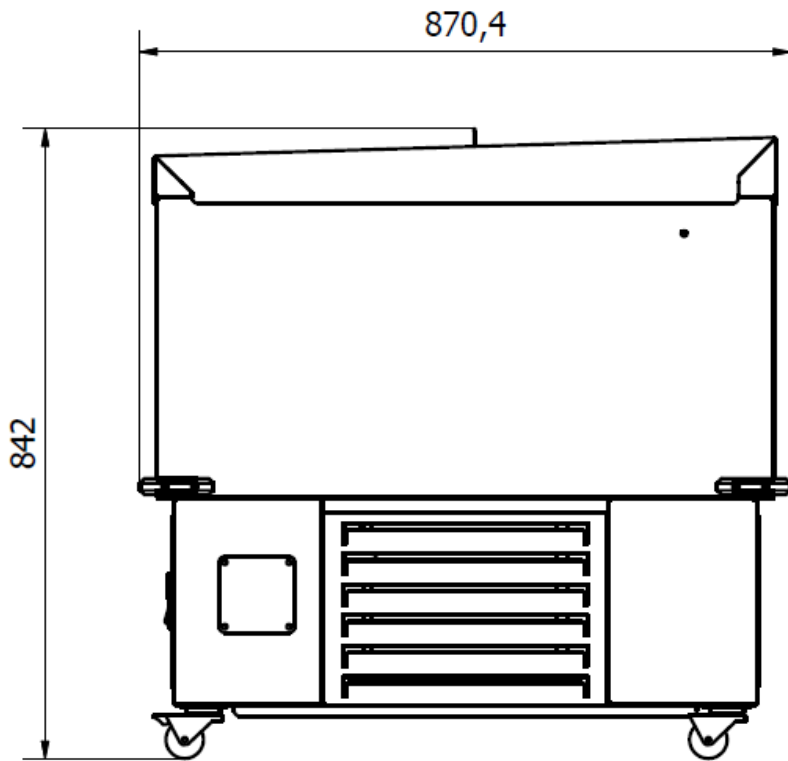


5. TECHNICAL DETAILS

5.1. STANDART VERSION #00930040



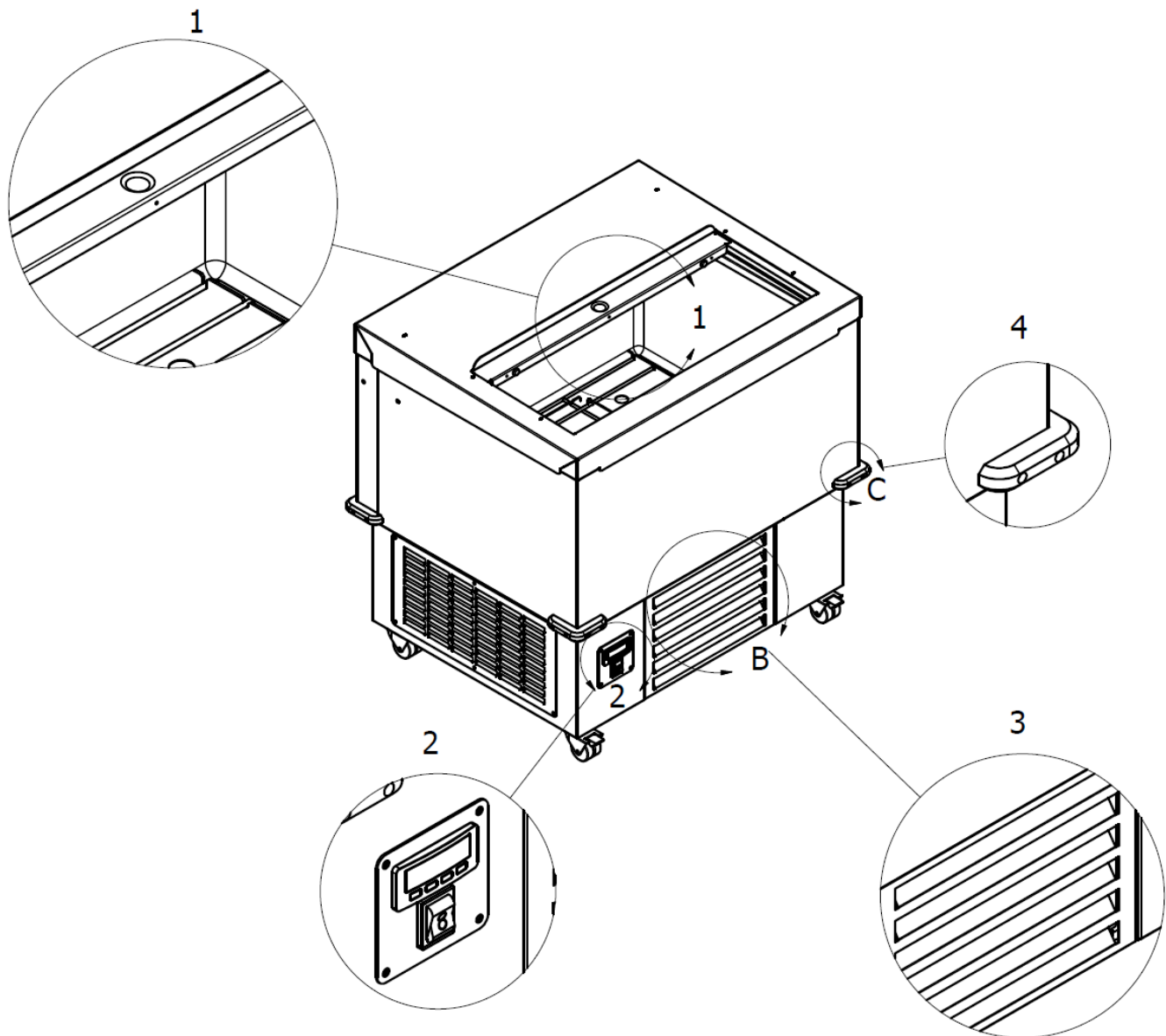
5.2. SLIM VERSION #00943332



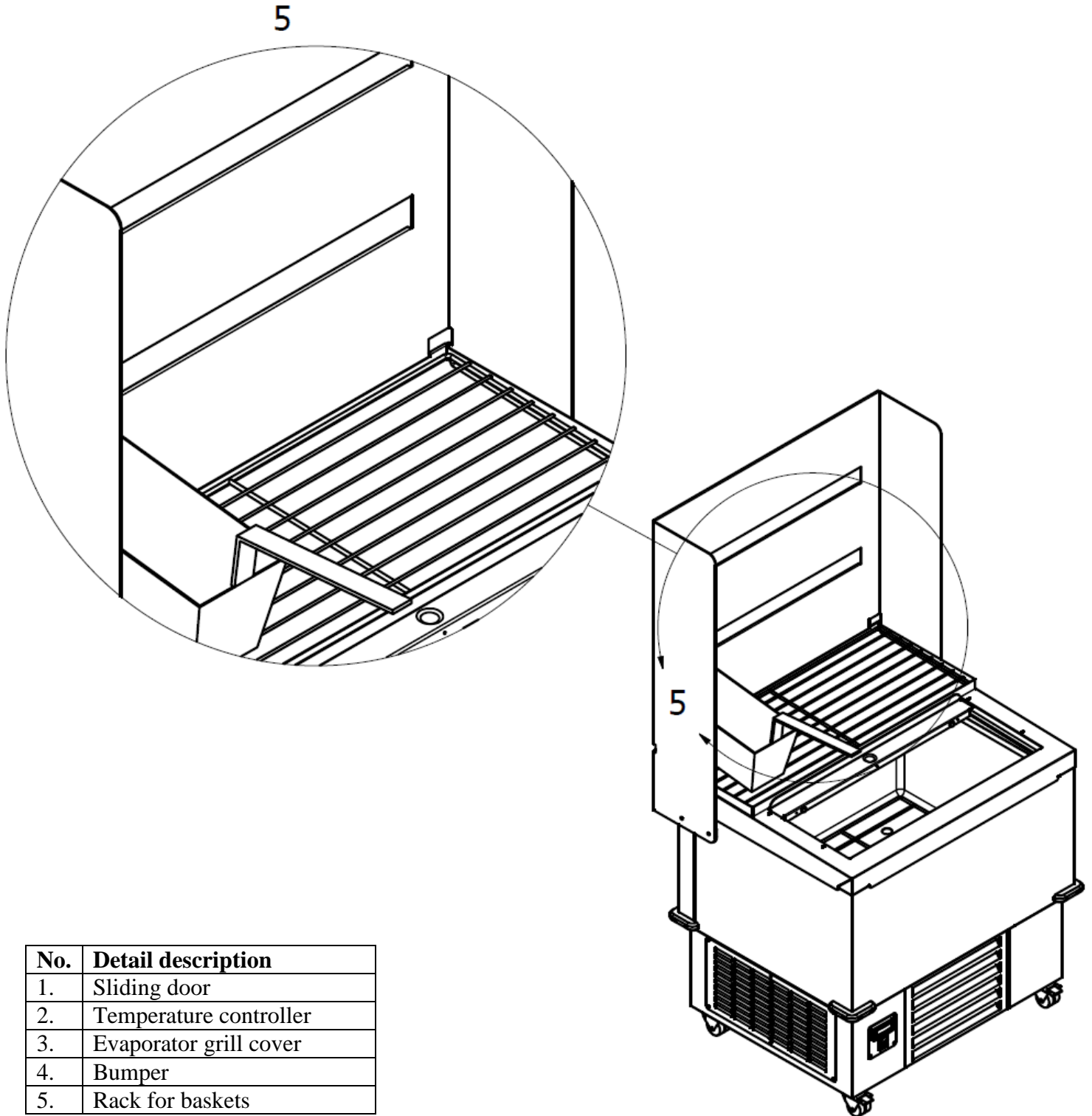
5.3. DIMENSIOND AND PARAMETERS

| Dimension | Version | |
|-------------------------------------|------------|------------|
| | #00930040 | #00943332 |
| length [mm] | 870 | 690 |
| depth [mm] | 690 | 870 |
| height [mm] | 840,5 | 840,5 |
| chamber capacity [dm ³] | 130 | 130 |
| weight [kg] | 120 | 120 |
| refrigerant | 404A | 404A |
| amount of refrigerant | data plate | data plate |
| operating temperature [°C] | -18 : -20 | -18 : -20 |
| voltage [V/Hz] | 230/50 | 230/50 |
| electrical power [W] | 400 | 400 |

6. EQUIPMENT DESCRIPTION



| No. | Detail description |
|-----|------------------------|
| 1. | Sliding door |
| 2. | Temperature controller |
| 3. | Evaporator grill cover |
| 4. | Bumper |
| 5. | Rack for baskets |



| No. | Detail description |
|-----|------------------------|
| 1. | Sliding door |
| 2. | Temperature controller |
| 3. | Evaporator grill cover |
| 4. | Bumper |
| 5. | Rack for baskets |

7. CLEANING INSTRUCTION

According to requirements of hygienic conditions of storing and preparing food products, it's necessary to care about refrigerator cleanliness

7.1. Chamber cleaning

Interior of chamber, have to be cleaned by water with addition of detergent. Rub the surface using sponge or soft rag. Cleaning have to be provided when refrigerator is defrosted and disconnected from electricity. Device can be started again only when interior is completely dry.

7.2. Housing cleaning

External surfaces of refrigerator, have to be cleaned by water with addition of detergent. Rub the surface using sponge or soft rag. During cleaning metal parts it's necessary to wipe in direction of material grinding- for save aesthetic appearance.

7.3. Condenser cleaning

To save optimal parameters of refrigeration unit, it's necessary to clean the condenser once a month. After take off condenser cover, clean using soft brush or compressed air



CAUTION!

- **Do not put water into the unit and do not use aggressive detergents to wash it.**

8. TRANSPORT

- The equipment is packed with stretch rap and protecting corners.
- Unit is attached to the pallet (transport in a working position only).
- During the transport do not hit the equipment and ensure that it is secured safety.
- All claims for damages occurred due to the transportation should be addressed to the delivering company.



Important cautions

- **Manufacturer does not hold responsibility for equipment that has been broken (damaged) during transportation.**
- **Unit should not be tilted into a sloping position with an angle higher than 45°**

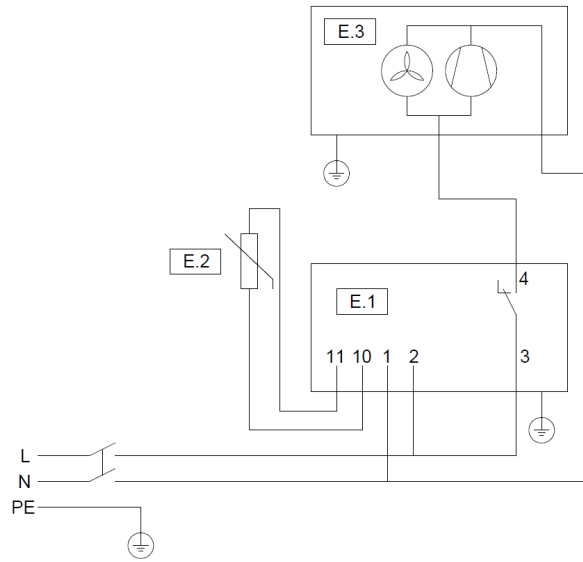
9. TROUBLESHOOTING GUIDE

Before calling for service:

1. Check that unit is plugged in.
2. Test outlet with another mobile device to verify power.
3. Check if the chamber isn't covered with ice and unit need to be defrosted
4. Check if the condenser isn't contaminated or covered.

| Symptom | Possible causes | Solution |
|---|--|--|
| <i>Freezer does not operate.</i> | on/off switch faulty or in OFF position (red light on the switch doesn't work); loose connection | Turn on/off switch to ON position (red light should work); check switch and connections |
| | Unit not plugged in | Connect the plug |
| | No power supply in network | Check the fuses in Main Distribution Board |
| <i>Freezer does not reach the set point temperature (all components run).</i> | Chamber covered with the ice. Interior might be covered with too much ice, what is wrong! | Defrost the unit, if needed turn off the unit for a longer period of time to remove all the ice (switch off the unit and leave doors opened) |
| | Condenser or air filter of the cooling unit is dirty | Clean the condenser with a brush or a compressed air/vacuum cleaner (grill cover on the front) |
| | Condenser fan defective – high pressure. | Check the condenser fan – if you have a voltage on wirings and the fan doesn't turn, you need to order new fan |
| | Temperature probe faulty or situated improperly. | Check temperature probe – if needed call for service. |

10. WIRING DIAGRAM



| No. | Name |
|------|------------------------|
| E.1. | Temperature controller |
| E.2. | Temperature sensor |
| E.3. | Refrigeration unit |

11. SPARE PARTS LIST

| No. | Part name | Quantity | Item number |
|------------|----------------------------|-----------------|--------------------|
| 1. | Switch | 1 | 00140079 |
| 2. | controller EVK | 1 | 00140723 |
| 3. | doors roller | 4 | 00142828 |
| 4. | refrigeration unit | 1 | 00916197 |
| 5. | wheel without brake | 2 | 00916304 |
| 6. | wheel with brake | 2 | 00916312 |
| 7. | bumper | 4 | 00177212 |
| 8. | condenser filter 270*255mm | 1 | 00934661 |
| 9. | cap chamber | 1 | 00916213 |